



The Precision Climate Control Unit for Indoor Cultivation

All-in-One Solution Engineered to Optimize Your Grow



Precision cooling and
dehumidification
with energy saving
Hot Gas Reheat



CO₂
distribution,
monitoring
& control



Temperature,
humidity and CO₂
set-point control
for lights on/off



Built to meet the
24/7 demands of
indoor cultivation



Web-based
controls for remote
monitoring &
adjustment

Learn more today, visit dataaire.com/gpod



PURPOSE-BUILT FOR CANNABIS GROWERS

- Simplifies the Buying Process
- Simplifies the Design Process
- Simplifies the Cultivation Process



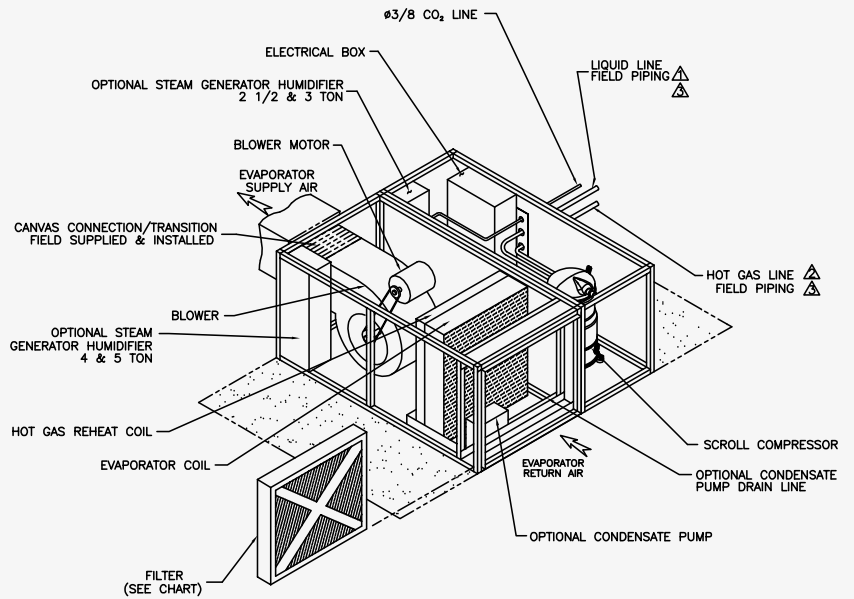
CEILING-MOUNTED UNITS

2.5 - 13 TONS

TONS	WIDTH	LENGTH	HEIGHT
2.5 - 5	44.5" - 68.0"	51.0"	28.5"
6 - 13	48.0"	72.0"	29.5"

Cooling Method:

- Air
- Water
- Glycol



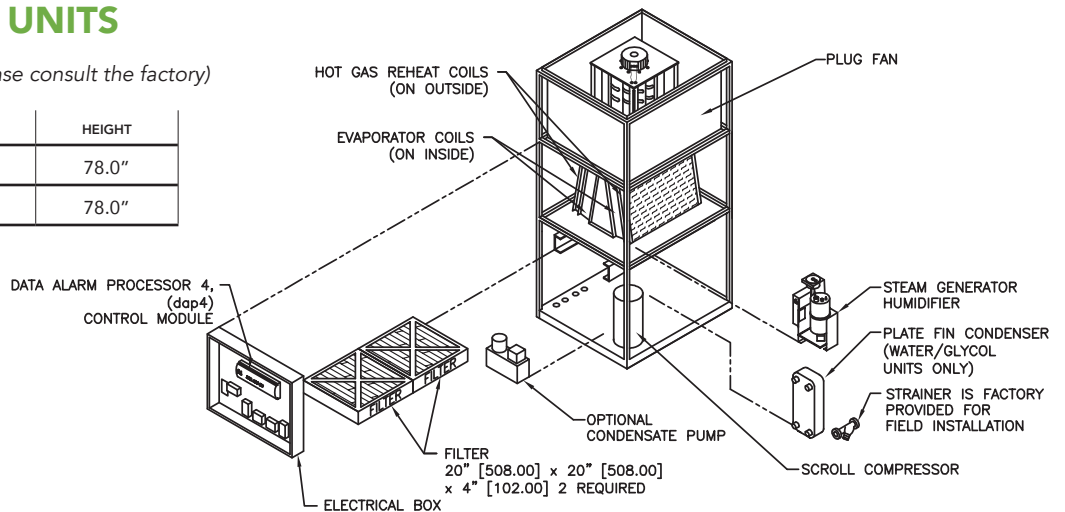
FLOOR-MOUNTED UNITS

5 - 13 TONS (Over 13 tons, please consult the factory)

TONS	WIDTH	LENGTH	HEIGHT
5	40.5"	41.0"	78.0"
8 - 13	40.5"	62.5"	78.0"

Cooling Method:

- Air
- Water
- Glycol



Learn more today, visit dataaire.com/gpod

ph: (800) 347-2473 • email: sales@dataaire.com

230 West BlueRidge Avenue, Orange CA 92865 | dataaire.com/gpod

